

# CARE LABEL15X27cm 车位正上方1.2cm

## DOUBLE BUNK ASSEMBLY INSTRUCTIONS



Thank you for purchasing a quality OZtrail product. Please keep this instruction sheet in a safe and dry place for future reference. OZtrail recommends that you set up this product before you leave for your trip. Check that all parts are present and that you familiarise yourself with the assembly and disassembly of the product. If you have any questions, your OZtrail dealer will be happy to help you.

### STEP 1:

Place all the parts side by side for easy identification, see Figure 1.

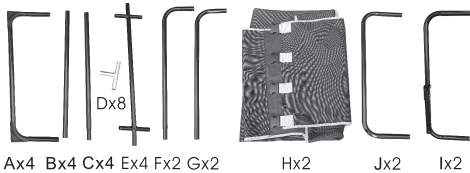


Figure 1

### STEP 2:

At the foot end of the bed, insert poles I and J through the bedcover sleeve and join poles I and J with pole E. Now join poles B and C together and slide this assembled pole (B + C) through the side pole sleeve of the bedcover, now connect the assembled pole (B + C) with pole E, see Figure 2.

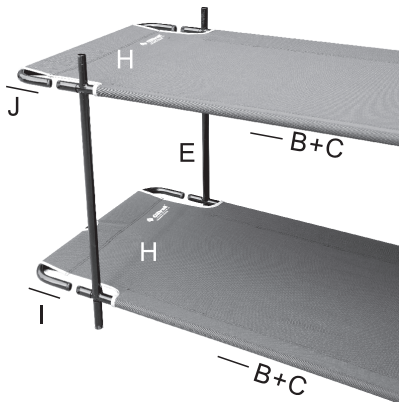


Figure 2

### STEP 3:

At the head end of the bed connect the assembled pole (B + C) with pole E. Now join poles I and J with pole E, see figure 3. Pull the bedcover up and over poles I and J and connect the side release buckles, see Figure 4.

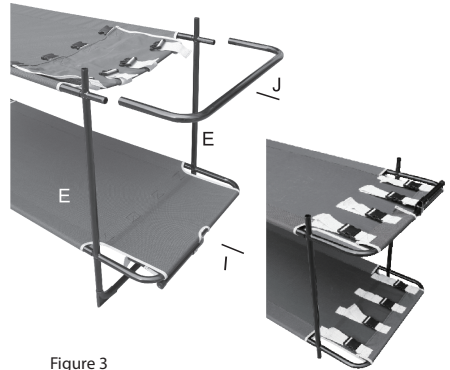


Figure 3

Figure 4

### STEP 4:

Join poles F and G, now connect this assembled pole (F + G) with pole E. Now join pole A to pole E, see Figure 5.

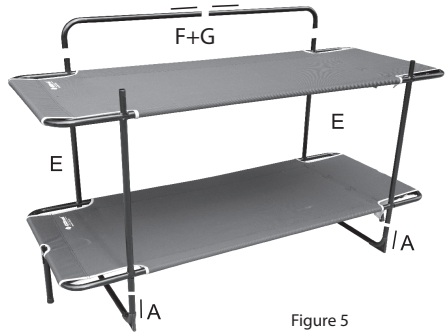


Figure 5

### STEP 5:

If you require two side by side single beds instead of the bunk formation, replace pole E with pole D, see Figure 6.



Figure 6

### WARRANTY

For warranty details and information see [www.oztrail.com.au/warranty](http://www.oztrail.com.au/warranty)

### PLEASE NOTE

Accessories shown may be for display purposes only and not included with the product. Due to our policy of continual product development, specifications and features of this product may vary from what is stated.

Made in China:  
Designed & Imported by:  
OZtrail Leisure Products  
71 Charles Ulm Place Eagle Farm QLD 4009  
AUSTRALIA